

8 7 6 5 4 3 2 1

D

C

B

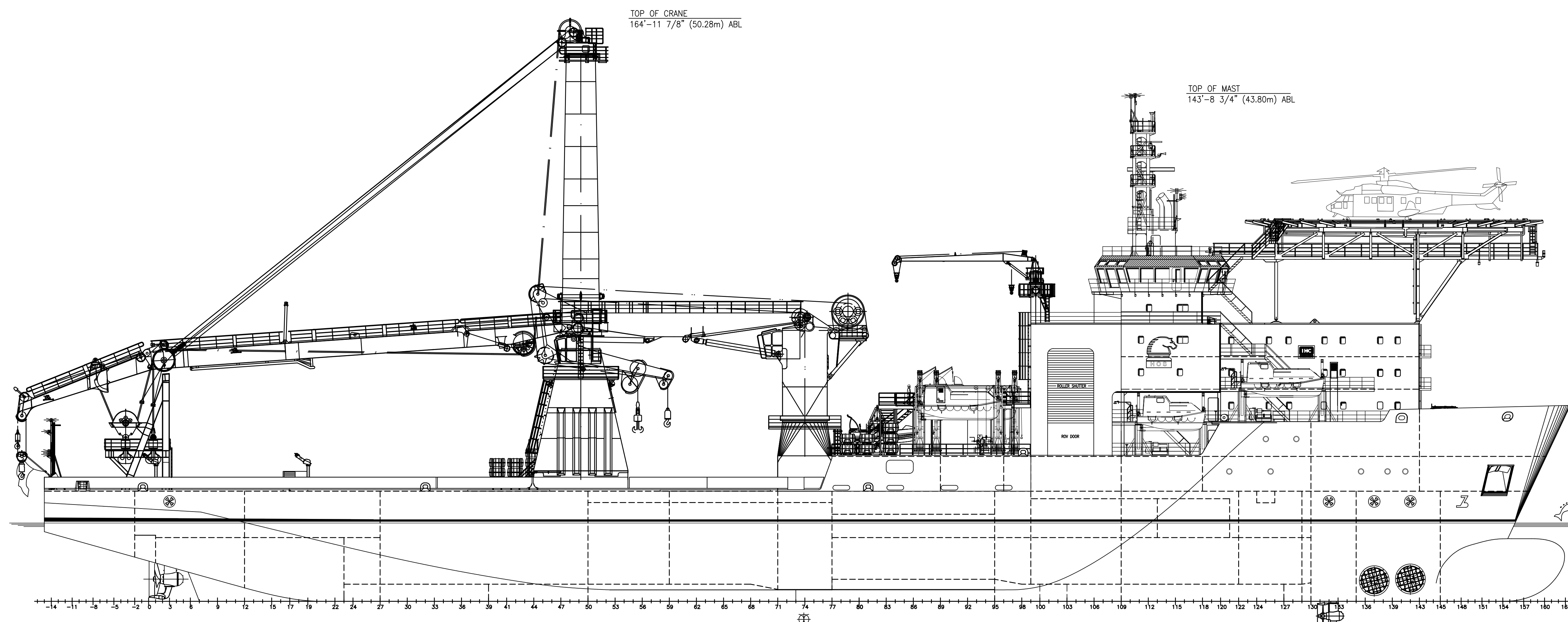
A

D

C

B

A



OUTBOARD PROFILE

- DECK 10
96'-10 5/8" (29.53m) ABL
- DECK 9 BRIDGE
87'-7 3/8" (26.70m) ABL
- DECK 8
78'-5 7/8" (23.92m) ABL
- DECK 7 A-DECK
69'-2 3/4" (21.10m) ABL
- DECK 6 B-DECK
60'-0 1/2" (18.30m) ABL
- DECK 5 FORECASTLE
50'-6" (15.40m) ABL
- DECK 4 D DECK
41'-0" (12.50m) ABL
- DECK 3 MAIN DECK
31'-2" (9.50m) ABL
- DECK 2 TWEEN DECK
18'-0" (5.50m) ABL
- DECK 1 TANK TOP
4'-10" (1.475m) ABL

HOS 430 MPSV / HOS IRON HORSE

THIS DRAWING, DESIGN CONCEPT AND SPECIFICATIONS ARE THE PROPERTY OF HORNBECK OFFSHORE SERVICES AND ARE FURNISHED ON A CONFIDENTIAL BASIS WITH AN EXPRESSED UNDERSTANDING THAT THEY WILL NOT BE COPIED IN ANY MANNER USED FOR MANUFACTURE, SOLD, TRANSFERRED, NOR USED TO THE DETRIMENT OF SAID FIRM WITHOUT WRITTEN PERMISSION. HOS ©

HORNBECK OFFSHORE SERVICES

| | | | |
|-----------------------------|---|----------------------|--|
| DRAWN BY: S. MAUL | 432'-1" X 72'-1" X 31'-2" | | SIZE D/M |
| CHECKED BY: M. STANSBURY | OUTBOARD PROFILE & GENERAL ARRANGEMENT | | REV. 12 |
| APPROVED BY: J. GUIDRY | TASK No. 8106 | DRAWING No. 1,001 | SCALE: 1:200 DATE: 01/28/20 SHEET 1 OF 3 |

8 7 6 5 4 3 2 1

16

15

14

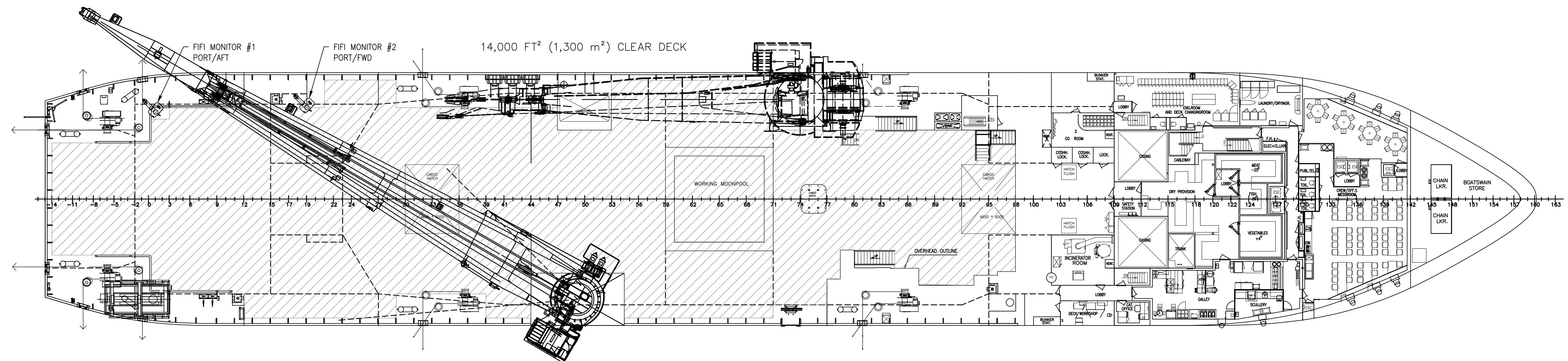
13

12

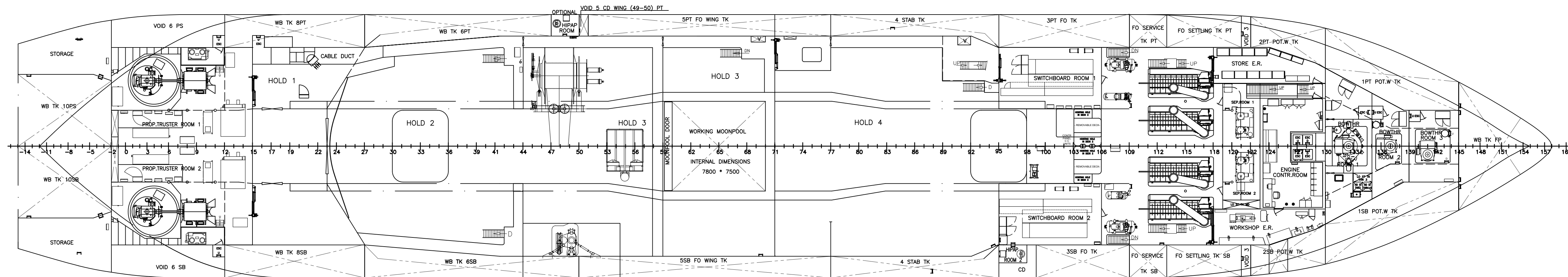
11

10

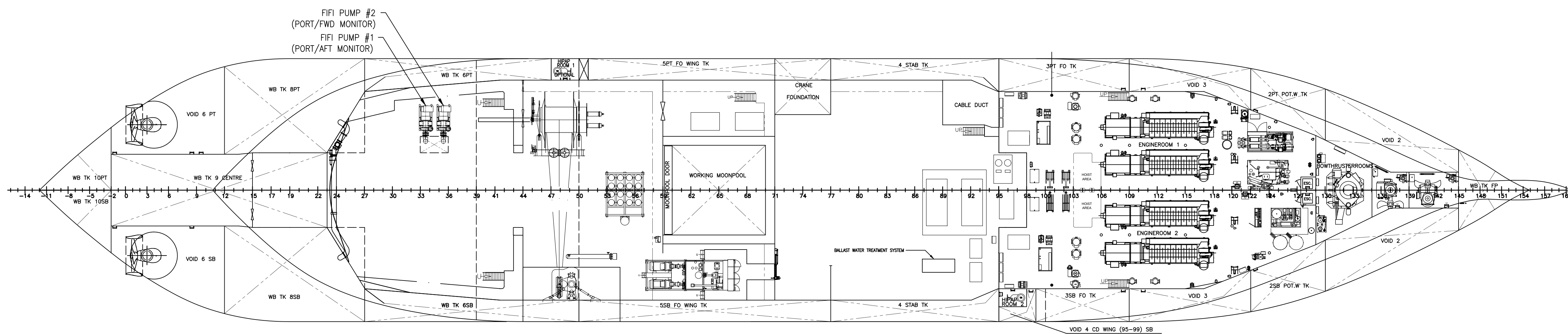
9



DECK 3 - MAIN DECK



DECK 2 - TWEEN DECK



DECK 1 - TANK TOP

THIS DRAWING, DESIGN CONCEPT AND SPECIFICATIONS ARE THE PROPERTY OF HORNBECK OFFSHORE SERVICES AND ARE FURNISHED ON A CONFIDENTIAL BASIS WITH AN EXPRESSED UNDERSTANDING THAT THEY WILL NOT BE COPIED IN ANY MANNER USED FOR MANUFACTURE, SOLD, TRANSFERRED, NOR USED TO THE DETRIMENT OF SAID FIRM WITHOUT WRITTEN PERMISSION.

HORNBECK OFFSHORE SERVICES

| | | |
|--|-------------------|----------------|
| OUTBOARD PROFILE & GENERAL ARRANGEMENT | | SIZE D/M |
| TASK No. 8106 | DRAWING No. 1.001 | SCALE: 1:200 |
| HULL No. 717 | SY: IHC | DATE: 01/28/20 |
| | | SHEET 2 OF 3 |

16

15

14

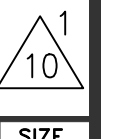
13

12

11

10

9



24

23

22

21

20

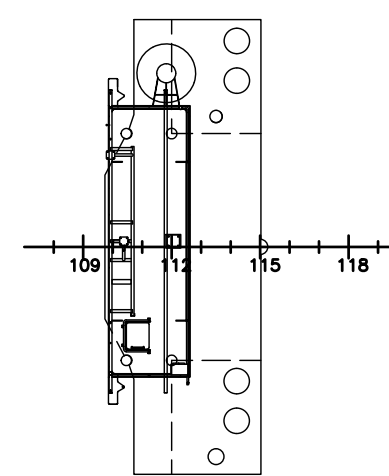
19

18

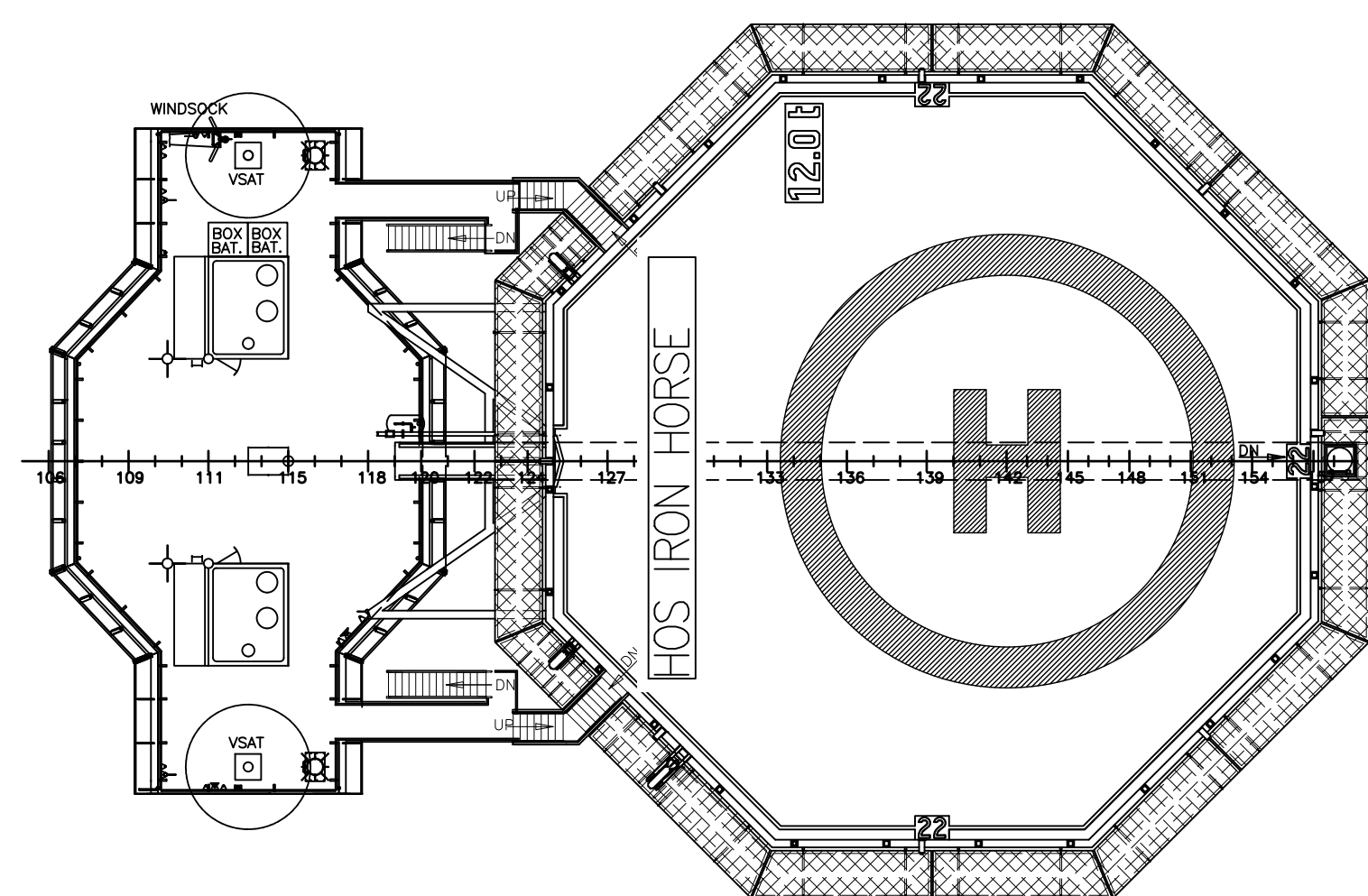
17

D

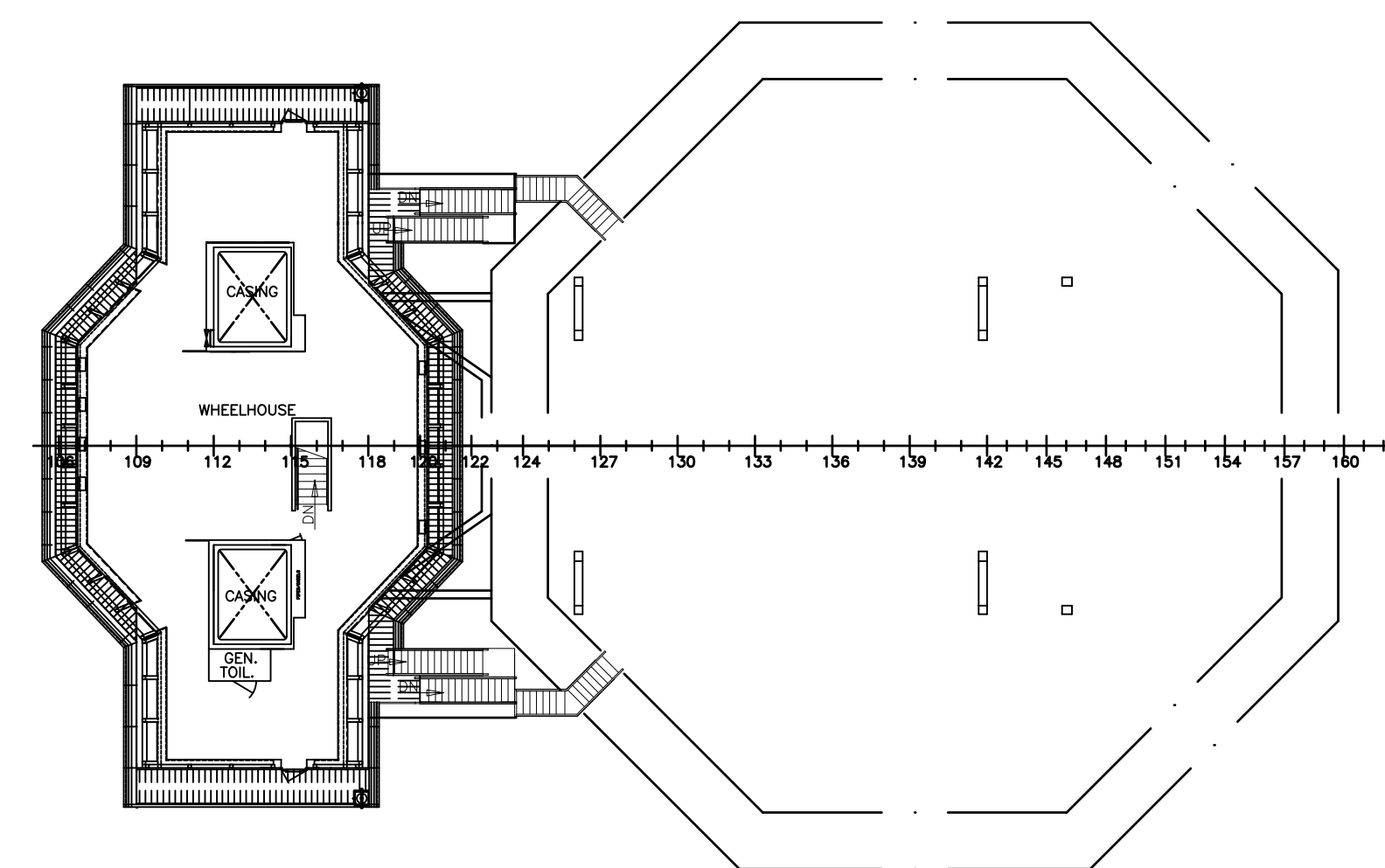
D



MAST



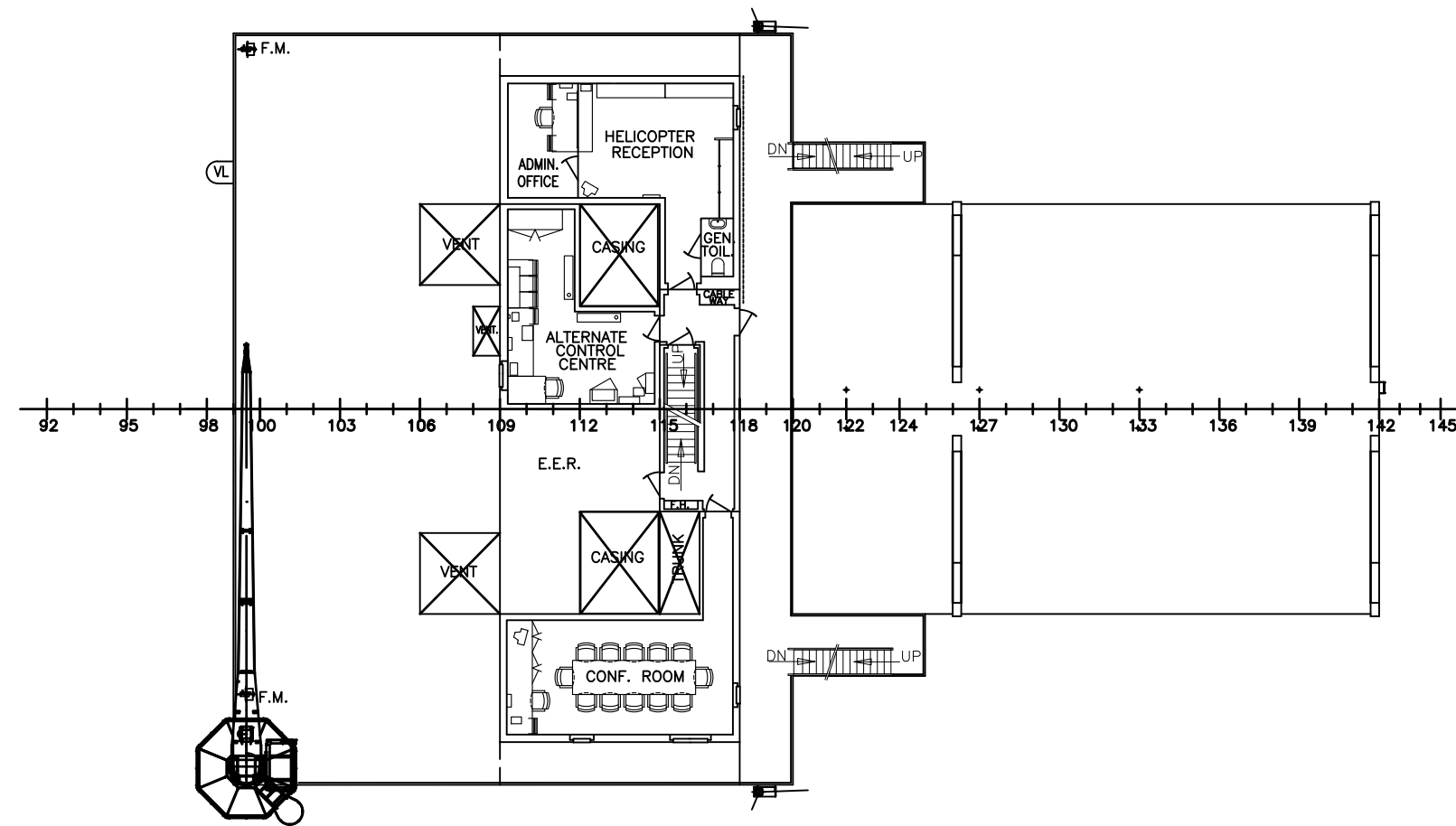
DECK 10 - TOP DECK



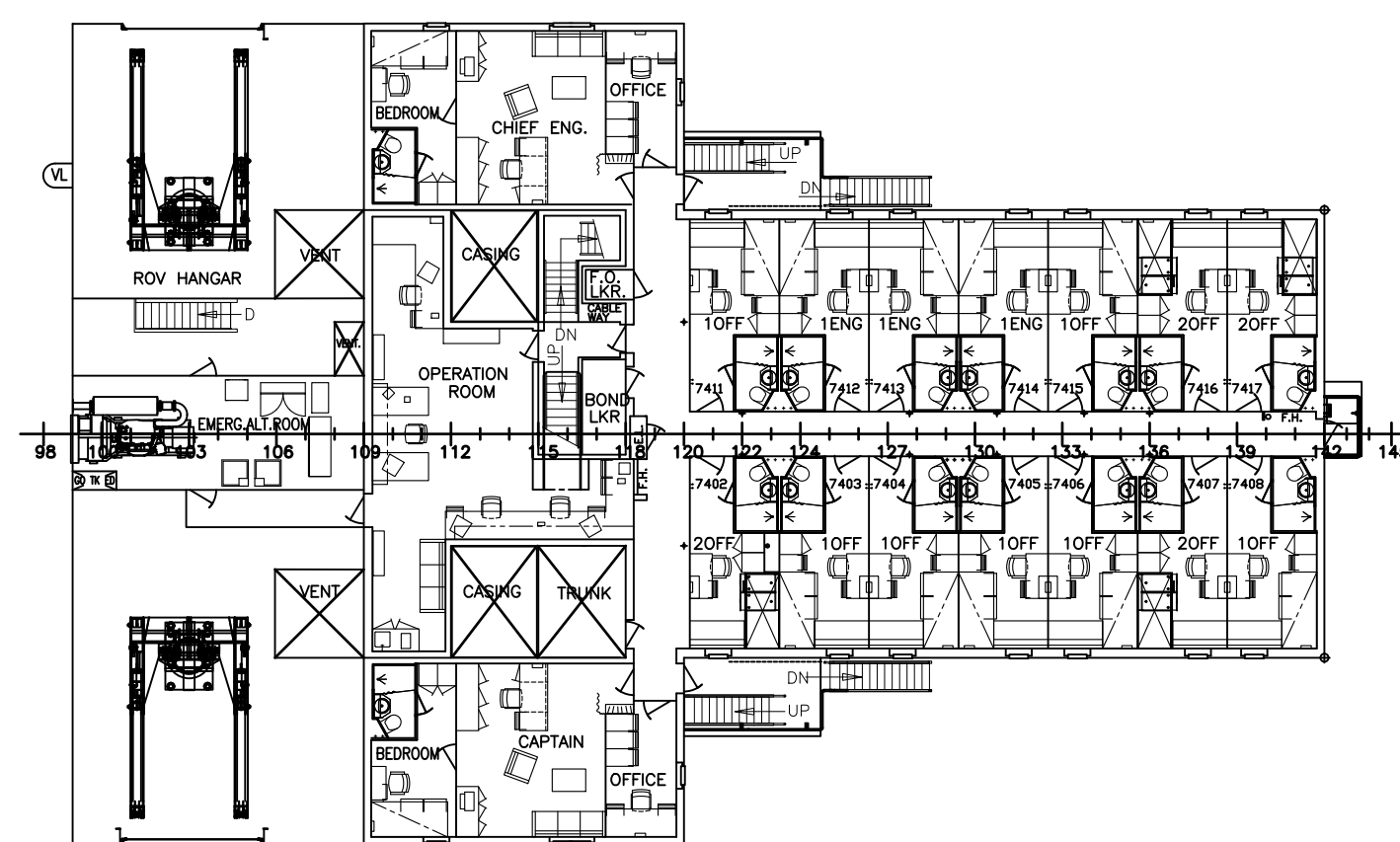
DECK 9 - BRIDGE DECK

C

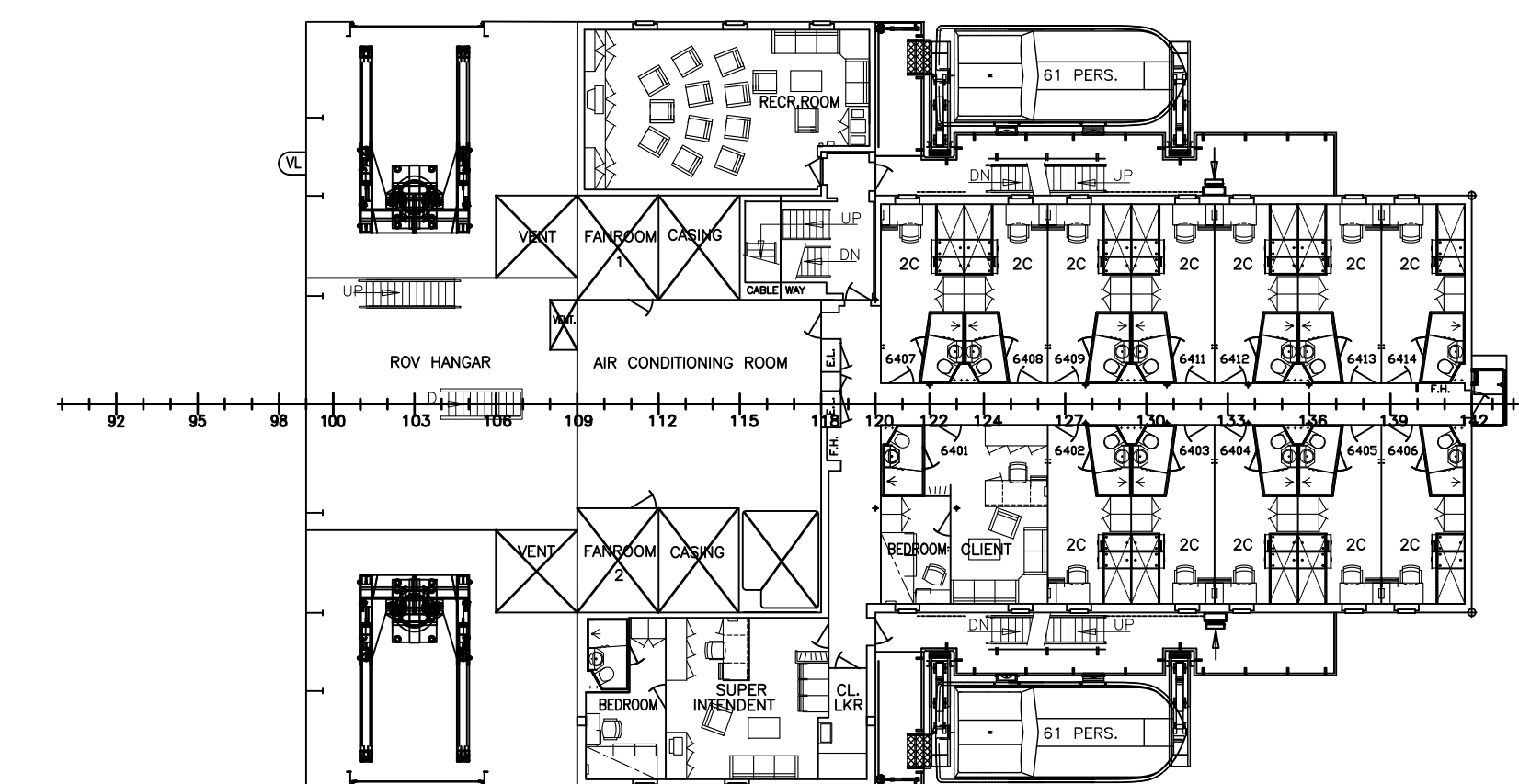
C



DECK 8



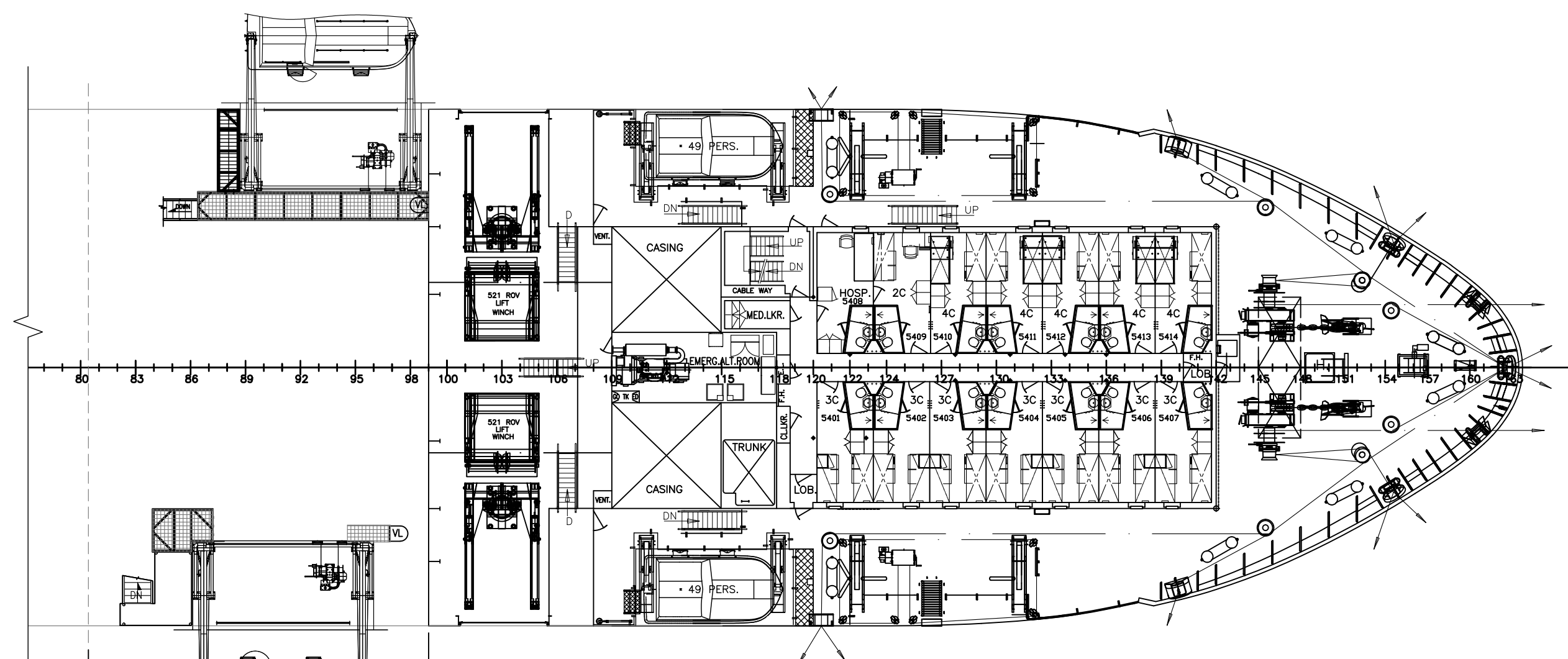
DECK 7 - A DECK



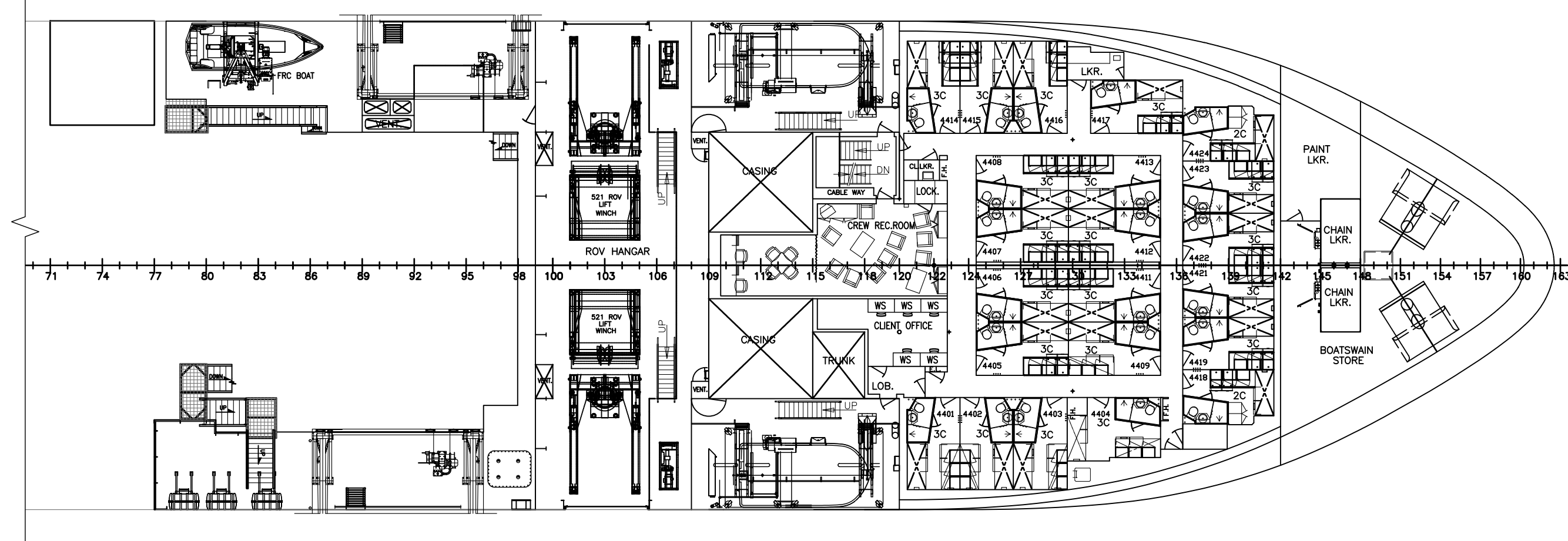
DECK 6 - B DECK

B

B



DECK 5 - FOCSE - C DECK



DECK 4 - D DECK

A

A

24

23

22

21

20

19

18

17

| | | | | | |
|-------------------|--|--------------------------|--|-----------------------------------|---------------------|
| <p>HOS</p> | <p>THIS DRAWING, DESIGN CONCEPT AND SPECIFICATIONS ARE THE PROPERTY OF HORNBECK OFFSHORE SERVICES AND ARE FURNISHED ON A CONFIDENTIAL BASIS WITH AN EXPRESSED UNDERSTANDING THAT THEY WILL NOT BE COPIED IN ANY MANNER USED FOR MANUFACTURE, SOLD, TRANSFERRED, NOR USED TO THE DETRIMENT OF SAID FIRM WITHOUT WRITTEN PERMISSION.</p> | | <p>OUTBOARD PROFILE & GENERAL ARRANGEMENT</p> | | <p>SIZE D/M</p> |
| | <p>TASK No. 8106</p> | <p>DRAWING No. 1.001</p> | <p>SCALE: 1:200</p> | <p>DATE: 01/28/20</p> | <p>REV. 12</p> |
| | <p>HULL No. 717</p> | <p>SY: IHC</p> | <p>SHEET 3 OF 3</p> | <p>HORNBECK OFFSHORE SERVICES</p> | |