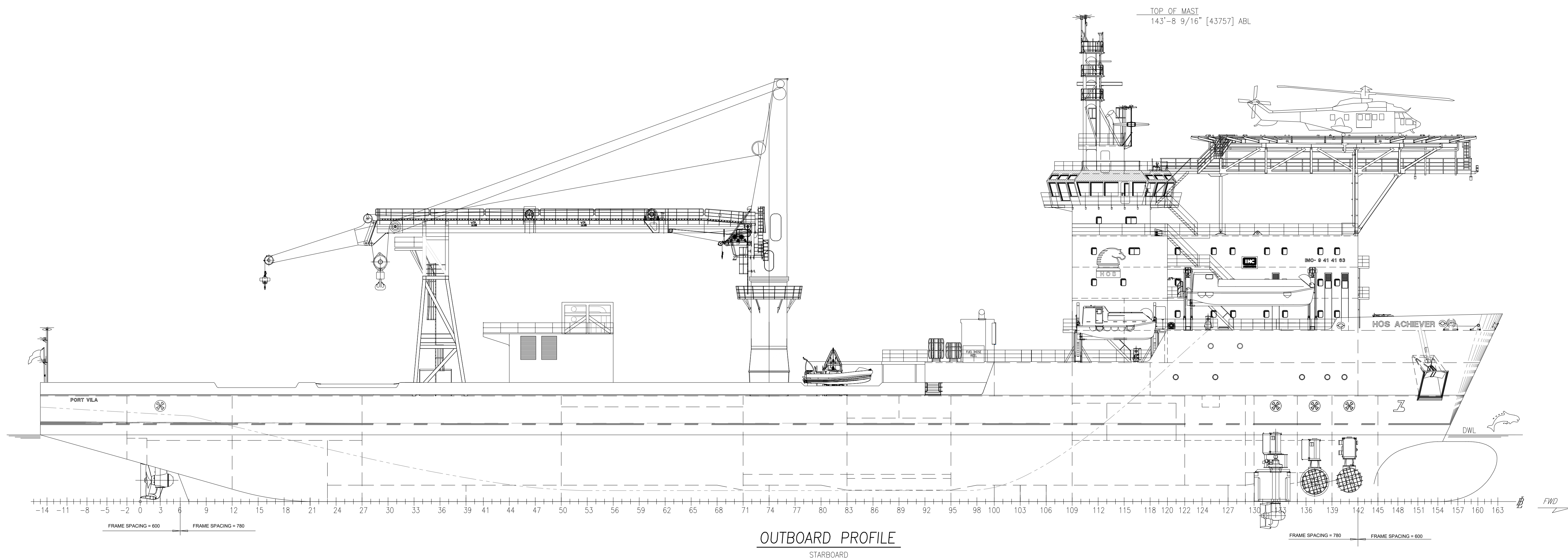


PRINCIPAL PARTICULARS

LOA 432'-1"
 LBP 386'-2"
 BEAM 72'-1"
 DEPTH 31'-2"
 LOADLINE DRAFT 22'-2"
 GENERATORS (4) X 2,875 KW
 AUX GENERATORS (2) X 1,800 KW
 TOTAL KILLOWATTS 15,100 KW
 MAIN PROPULSION (2) X 4,025 HP FFP STEERABLE AZIMUTH
 BOW THRUSTERS (2) X 1,800 HP CPP TUNNEL
 (1) X 1,600 HP CPP DROP DOWN AZIMUTH
 REGULATORY: OCEANS, SOLAS, ABS A1, AMS, ACCU, DPS-3, HELDK, HDC 10T/M²

TANK CAPACITIES

WATER BALLAST 859,250 US GAL
 SHIP'S FUEL OIL 318,910 US GAL
 POTABLE WATER 145,440 US GAL
 SEWAGE 21,254 US GAL



- DECK 10 - TOP DECK
96'-9 3/8" [23900] ABL
- DECK 9 - BRIDGE DECK
87'-7 1/8" [26700] ABL
- DECK 8 - HULL DECK
78'-5" [23900] ABL
- DECK 7 - A DECK
69'-2 3/4" [21100] ABL
- DECK 6 - B DECK
60'-1/2" [18300] ABL
- DECK 5 - FOC'SLE DECK
50'-6 1/4" [15400] ABL
- DECK 4 - D DECK
41'-1/8" [12500] ABL
- DECK 3 - MAIN DECK
31'-2" [9500] ABL
- DECK 2 - TWEEN DECK
18'-1/2" [5500] ABL
- DECK 1 - TANKTOP
4'-10 1/8" [1475] ABL

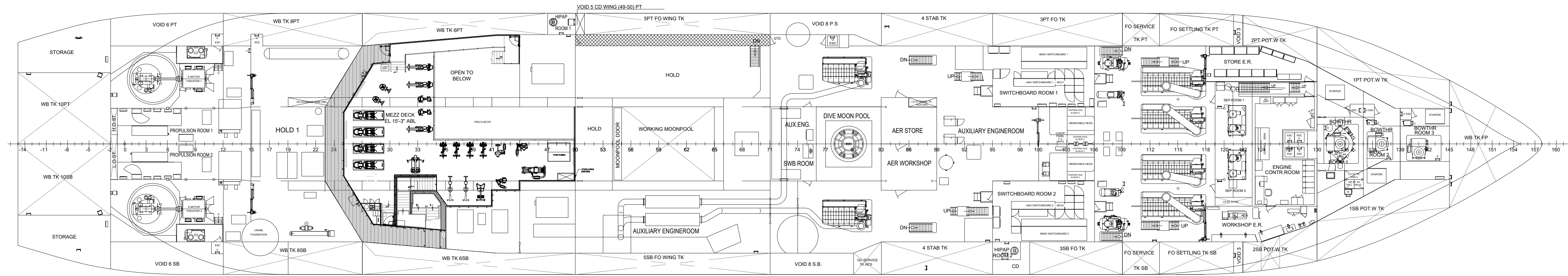
OUTBOARD PROFILE
STARBOARD

HOS 430 MPSV / HOS ACHIEVER

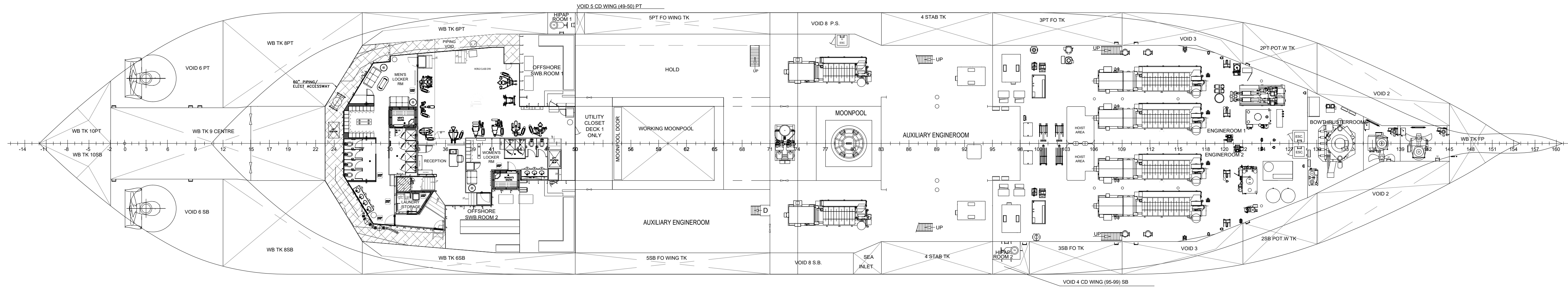
THIS DRAWING, DESIGN CONCEPT AND SPECIFICATIONS ARE THE PROPERTY OF HORNBECK OFFSHORE SERVICES AND ARE FURNISHED ON A CONFIDENTIAL BASIS WITH AN EXPRESSED UNDERSTANDING THAT THEY WILL NOT BE COPIED IN ANY MANNER USED FOR MANUFACTURE, SOLD, TRANSFERRED, NOR USED TO THE DETRIMENT OF SAID FIRM WITHOUT WRITTEN PERMISSION. HOS ©
HORNBECK OFFSHORE SERVICES

DRAWN BY: C. SULLIVAN	432'-1" X 72'-1" X 31'-2"			SIZE D
CHECKED BY: M. STANSBURY	OUTBOARD PROFILE & GENERAL ARRANGMENT			REV. 17
APPROVED BY: J. GUIDRY	TASK No. 6120	DRAWING No. 1.001	SCALE: 1/16"=1'-0" DATE: 12/15/23 SHEET 1 OF 5	

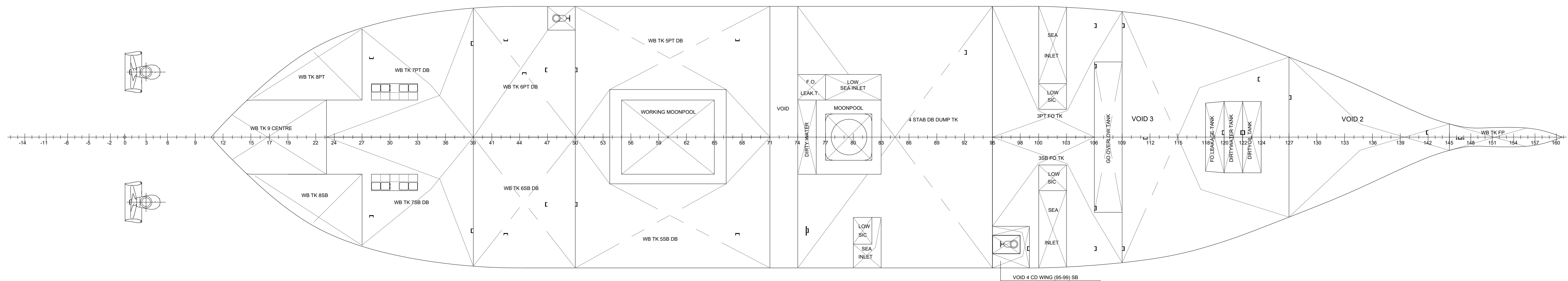
LAST SAVE/PLT: 1/9/2025 8:11 AM
 ENG: JSULLIVA
 SHEET: ANSI D 22X34




DECK 2 - TWEENDECK



DECK 1 - TANK TOP



DOUBLE BOTTOM TANK

	<small>THIS DRAWING, DESIGN CONCEPT AND SPECIFICATIONS ARE THE PROPERTY OF HORNBECK OFFSHORE SERVICES AND ARE FURNISHED ON A CONFIDENTIAL BASIS WITH AN EXPRESSED UNDERSTANDING THAT THEY WILL NOT BE COPIED IN ANY MANNER USED FOR MANUFACTURE, SOLD, TRANSFERRED, NOR USED TO THE DETRIMENT OF SAID FIRM WITHOUT WRITTEN PERMISSION.</small>			IIGS © REV. 17
	OUTBOARD PROFILE & GENERAL ARRANGMENT			
	TASK No. 6120 HULL No. 714	DRAWING No. 1.001 SY: IHC	SCALE: 1/16"=1'-0" DATE: 12/15/23 SHEET 2 OF 5	
	HORNBECK OFFSHORE SERVICES			

24

23

22

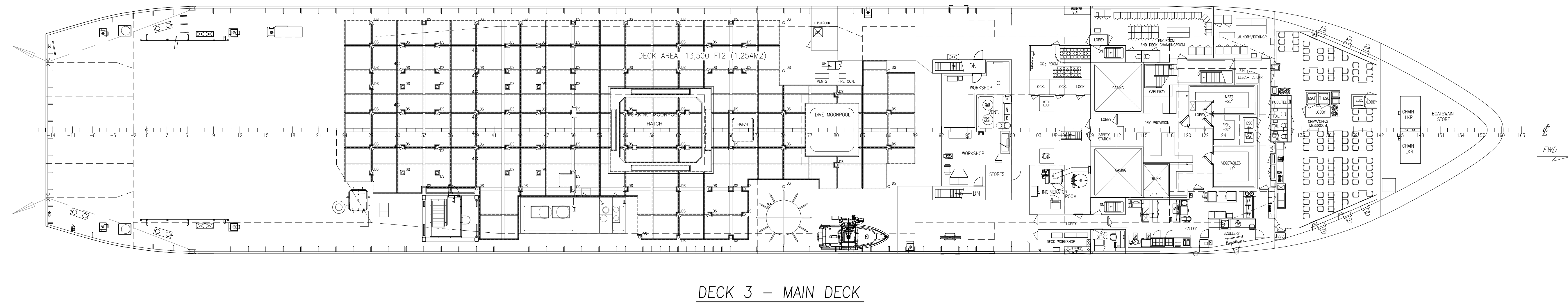
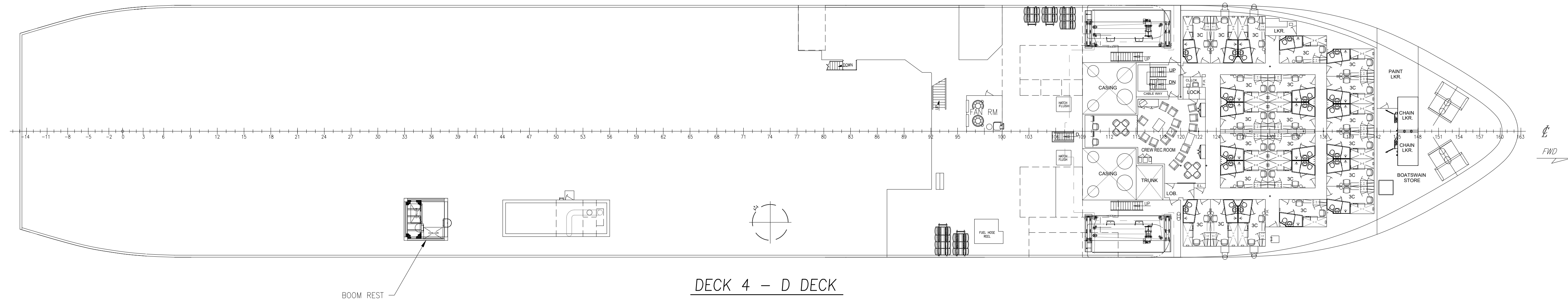
21


20

19

18

17



	<small>THIS DRAWING, DESIGN CONCEPT AND SPECIFICATIONS ARE THE PROPERTY OF HORNBECK OFFSHORE SERVICES AND ARE FURNISHED ON A CONFIDENTIAL BASIS WITH AN EXPRESSED UNDERSTANDING THAT THEY WILL NOT BE COPIED IN ANY MANNER USED FOR MANUFACTURE, SALE, TRANSFERRED, NOR USED TO THE DETRIMENT OF SAID FIRM WITHOUT WRITTEN PERMISSION.</small>			<small>1108</small> HORNBECK OFFSHORE SERVICES	SIZE D
	OUTBOARD PROFILE & GENERAL ARRANGMENT				
	TASK No. 6120	DRAWING No. 1,001	SCALE: 1/16"=1'-0"		
	HULL No. 714	SY: IHC	DATE: 12/15/23 SHEET 3 OF 5		
			REV. 17		

24

23

22

21

20

19

18

17

32

31

30

29

28

27

26

25

D

D

C

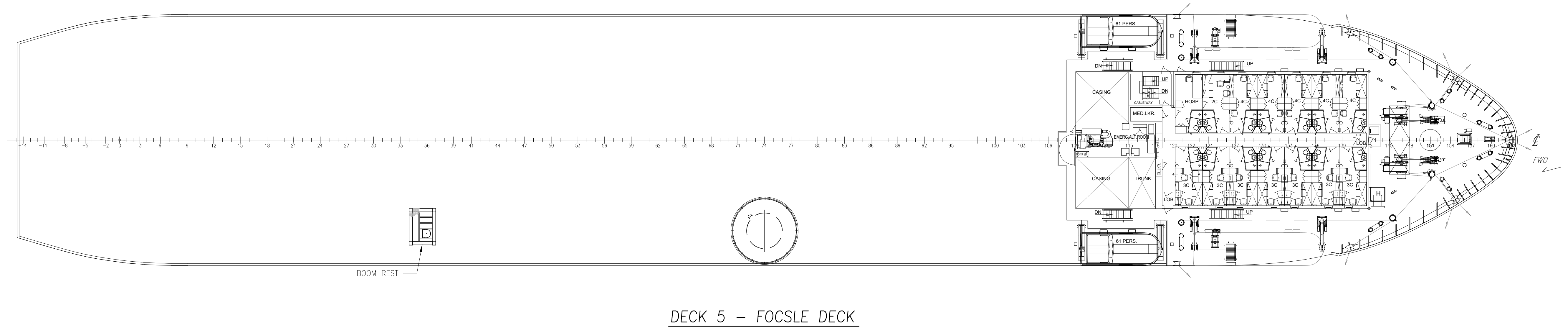
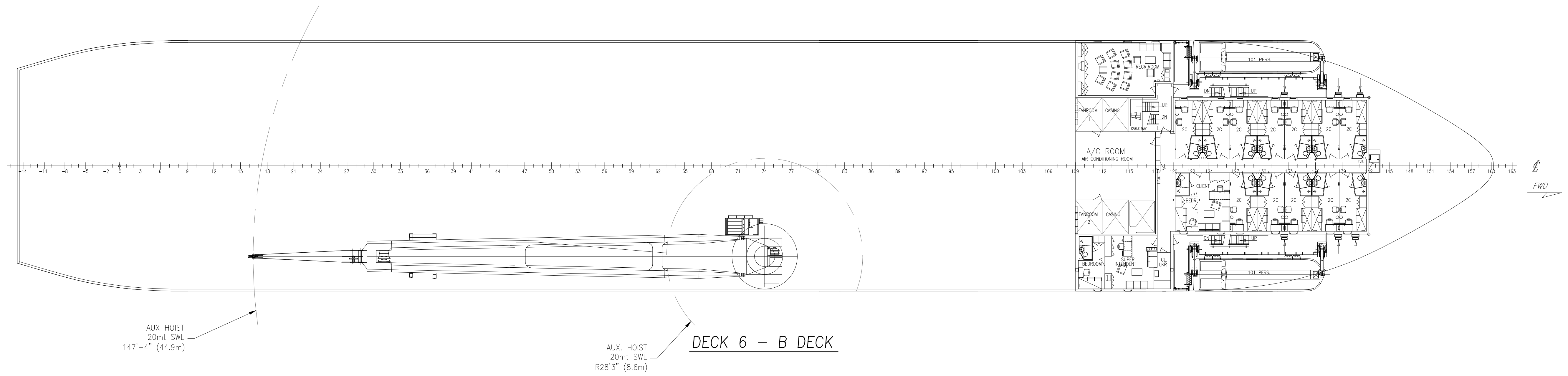
C

B

B

A

A



 HORNBECK OFFSHORE SERVICES	<small>THIS DRAWING, DESIGN CONCEPT AND SPECIFICATIONS ARE THE PROPERTY OF HORNBECK OFFSHORE SERVICES AND ARE FURNISHED ON A CONFIDENTIAL BASIS WITH AN EXPRESSED UNDERSTANDING THAT THEY WILL NOT BE COPIED IN ANY MANNER USED FOR MANUFACTURE, SALE, TRANSFERRED, NOR USED TO THE DETRIMENT OF S&D FIRM WITHOUT WRITTEN PERMISSION.</small>			IIGS © 17
	OUTBOARD PROFILE & GENERAL ARRANGMENT			
	TASK No. 6120	DRAWING No. 1,001	SCALE: 1/16"=1'-0"	
	HULL No. 714	SY: IHC	DATE: 12/15/23 SHEET 4 OF 5	

32

31

30

29

28

27

26

25

40

39

38

37

36

35

34

33

D

D

C

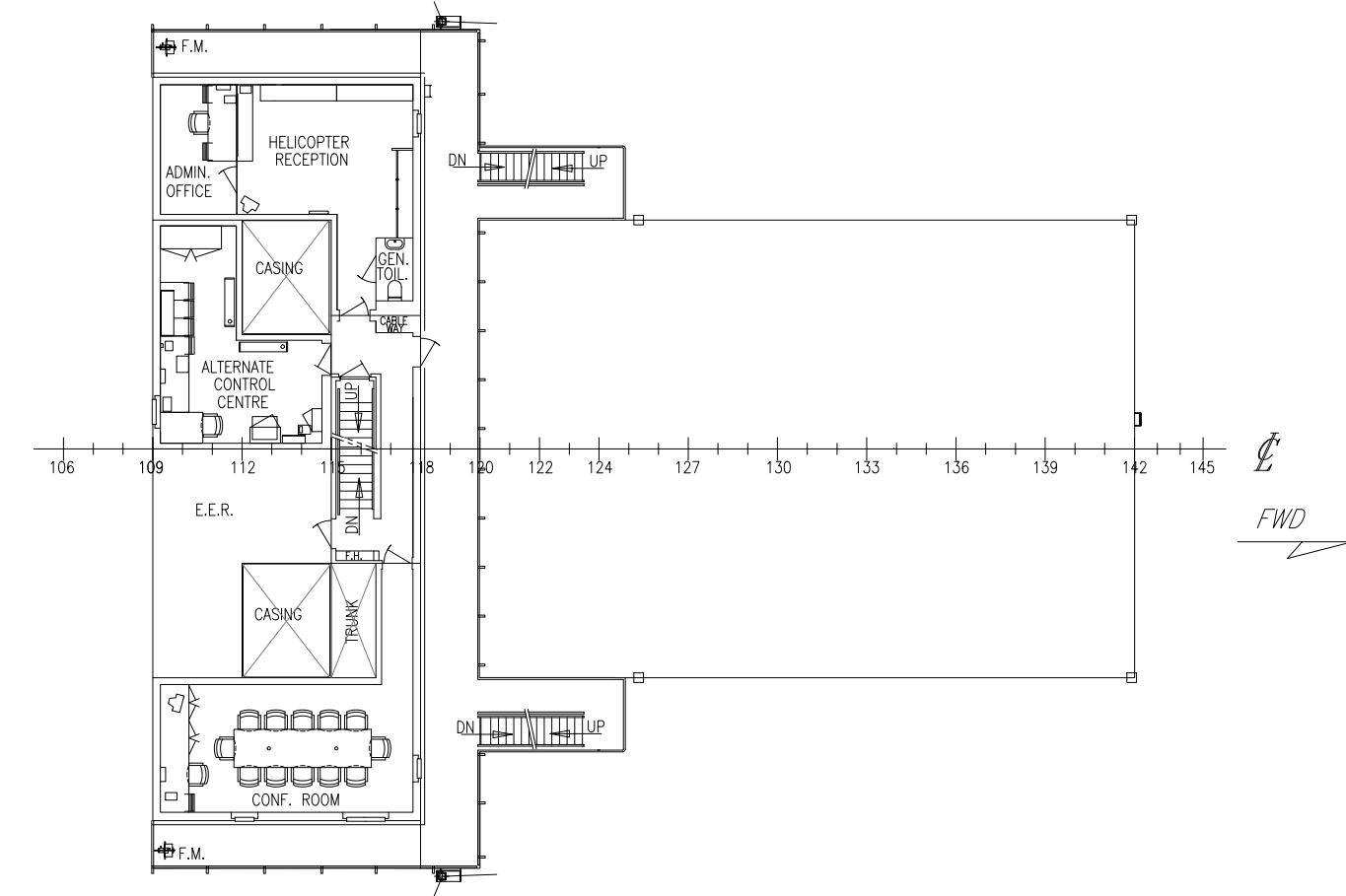
C

B

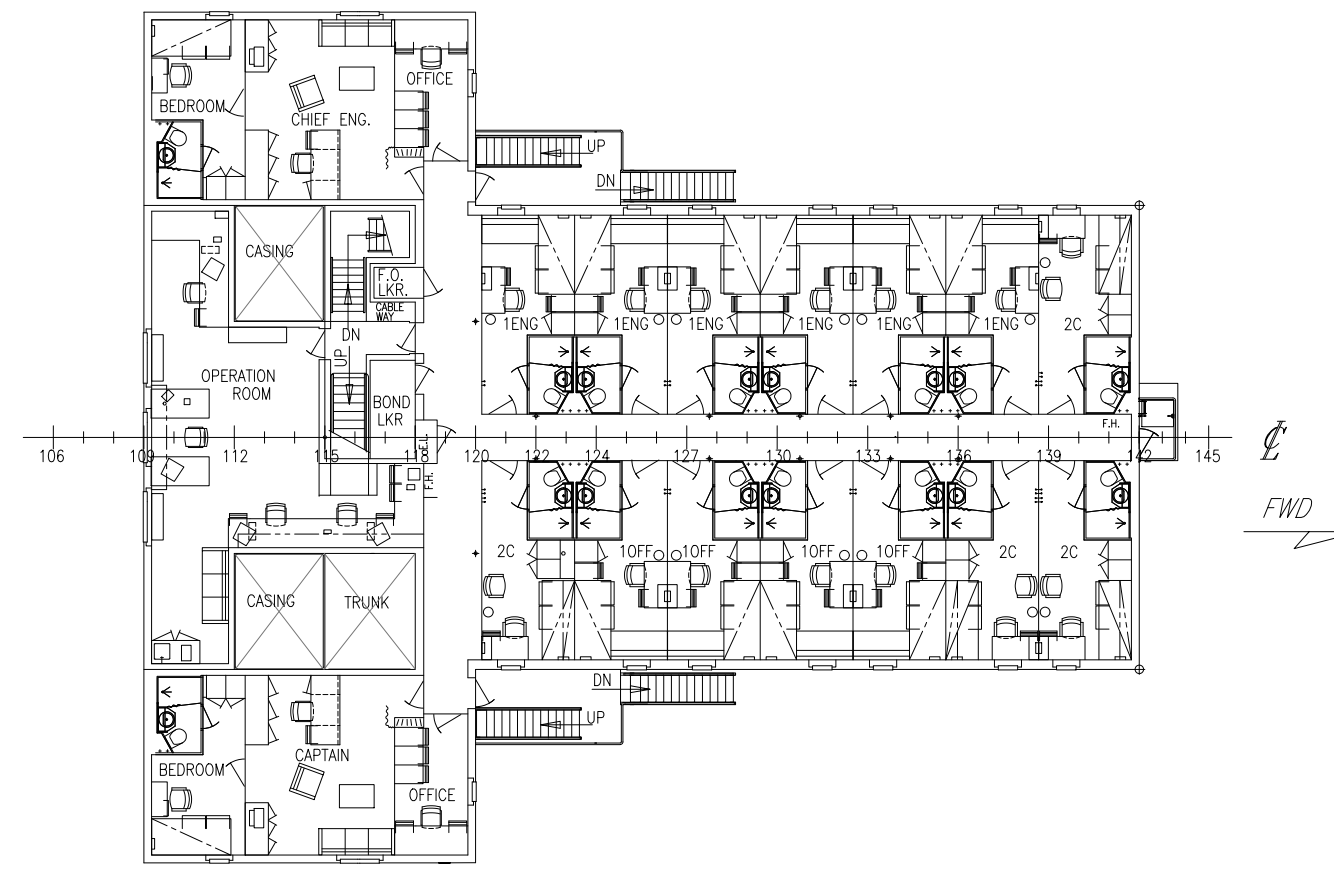
B

A

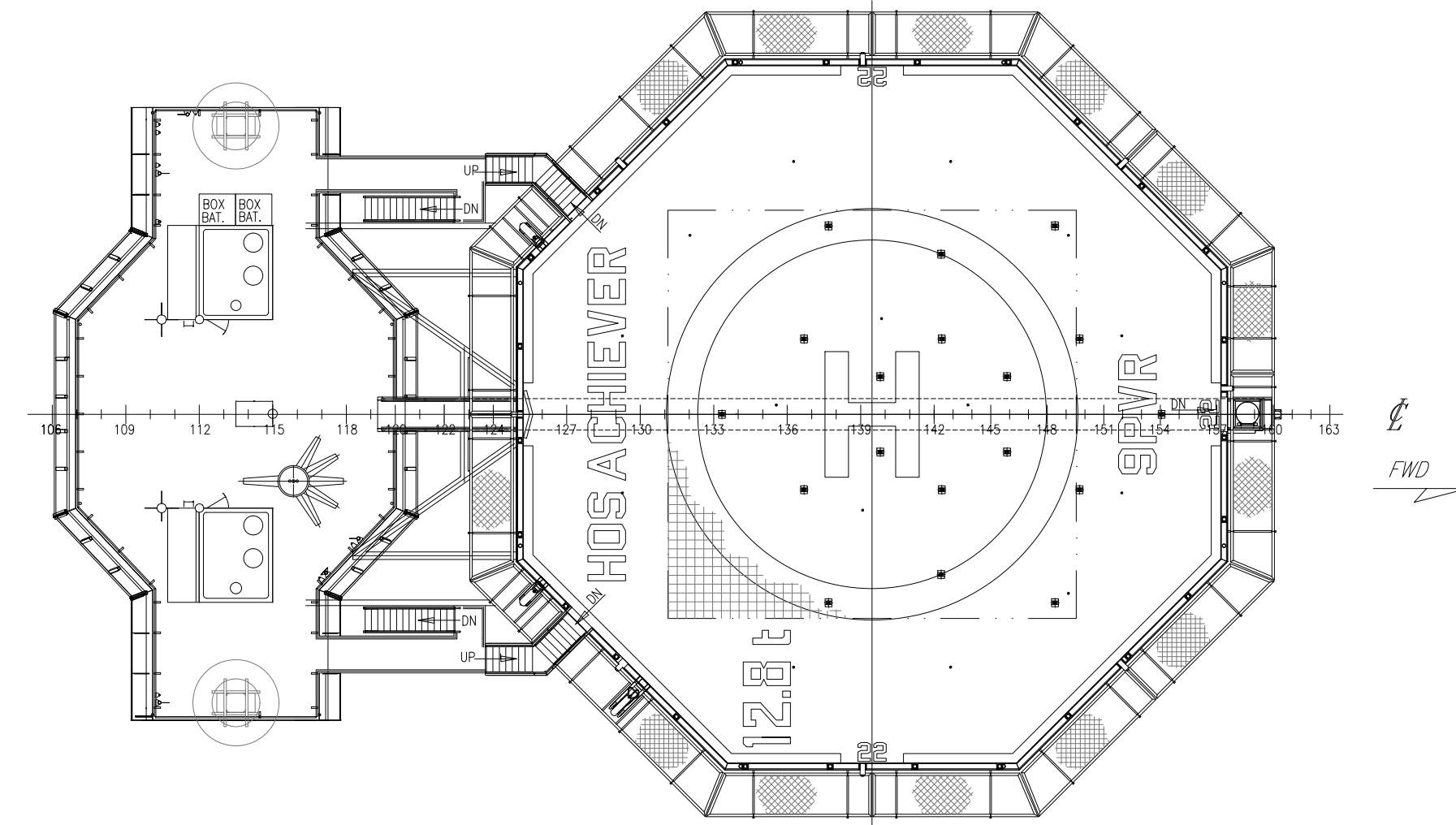
A



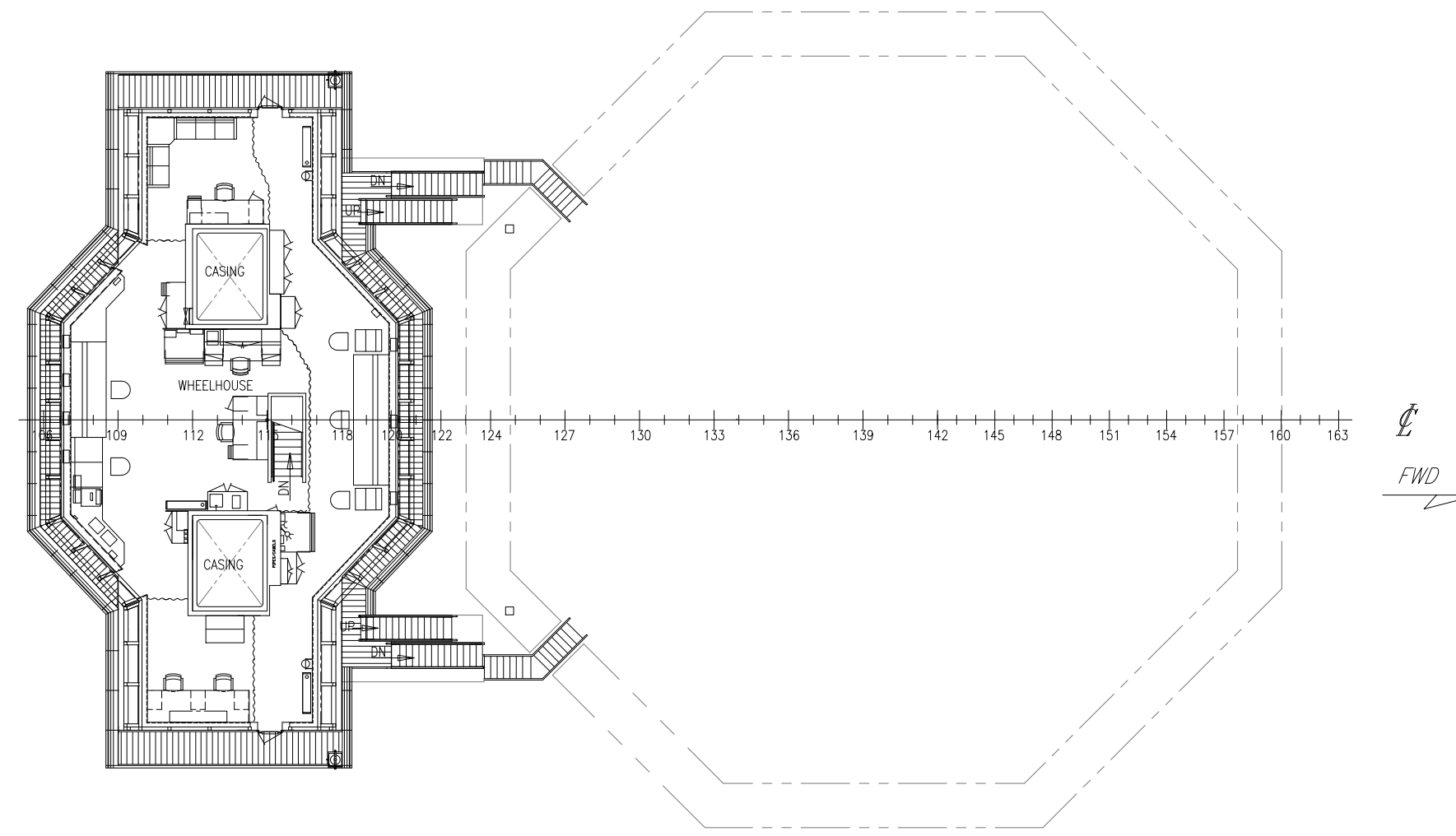
DECK 8 - HELI-DECK



DECK 7 - A DECK



DECK 10 - TOP DECK



DECK 9 - BRIDGE DECK

40

39

38


37

36

35

34

33

 <p>THIS DRAWING, DESIGN CONCEPT AND SPECIFICATIONS ARE THE PROPERTY OF HORNBECK OFFSHORE SERVICES AND ARE FURNISHED ON A CONFIDENTIAL BASIS WITH AN EXPRESSED UNDERSTANDING THAT THEY WILL NOT BE COPIED IN ANY MANNER USED FOR MANUFACTURE, SOLD, TRANSFERRED, NOR USED TO THE DETRIMENT OF S&D FIRM WITHOUT WRITTEN PERMISSION. HOS ©</p> <p>HORNBECK OFFSHORE SERVICES</p>	<p>OUTBOARD PROFILE & GENERAL ARRANGMENT</p>		<p>SIZE D</p>
	<p>TASK No. 6120</p>	<p>DRAWING No. 1.001</p>	<p>SCALE: 1/16"=1'-0"</p> <p>DATE: 12/15/23</p> <p>SY: IHC</p> <p>SHEET 5 OF 5</p>